

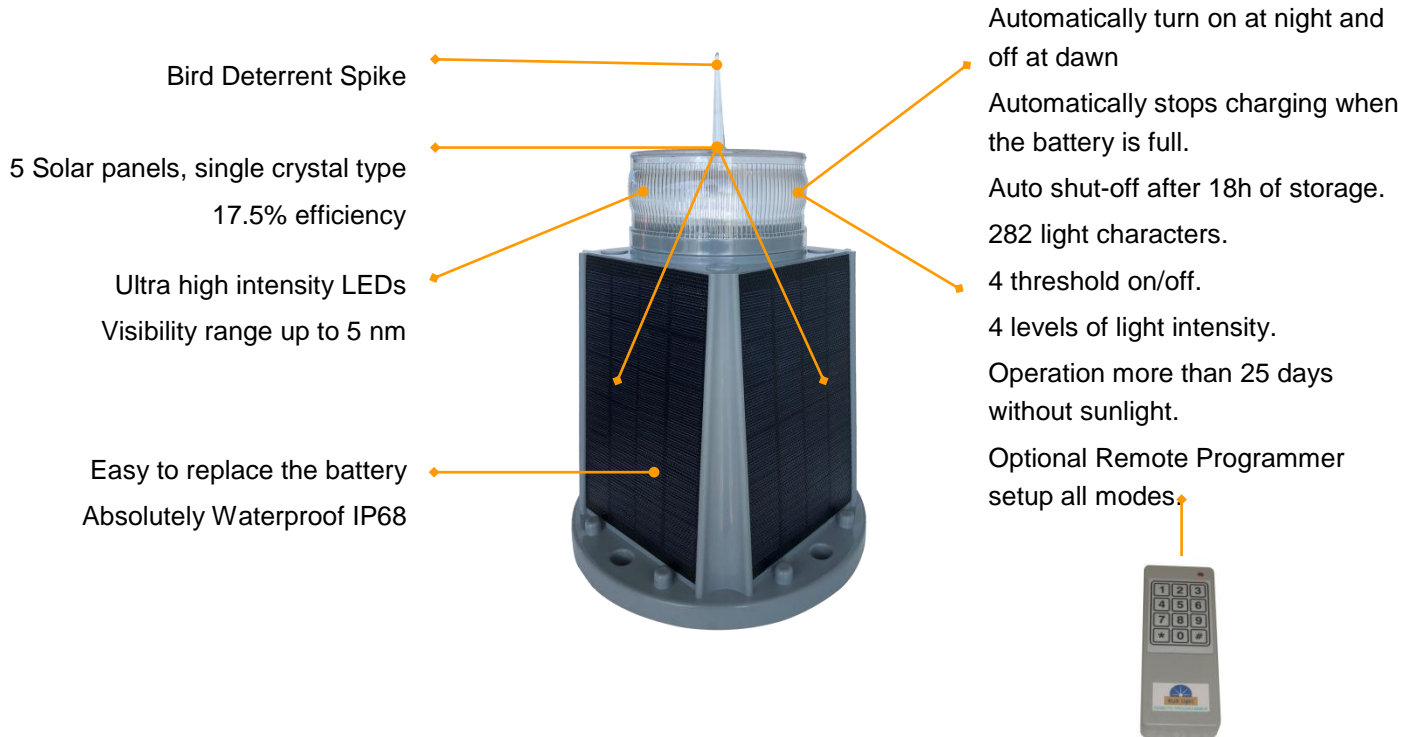


VIJA Light®

VIJALight® Model: VIJA-412

Up to 5nm Solar LED Marine Lantern

VIJALight® Model: VIJA-412 is an intelligent self-contained solar-Power LED marine Lantern, with automatic operation, large solar panel, very effective to any marine application with up to 5 Nautical miles of viewing range.



TECHNOLOGY

- Using an array of Ultra-bright LEDs, with an operating lifespan of up to 100,000 hours, the VIJA-412 can produce five color light output - Red, Green, Blue, Amber, White - that meets international chromaticity requirements.
- Using EEPROM memory makes the lantern work with previous setup after changing new battery.
- Integrated Intelligent software:
 - Automatic off mode after 18hrs in store.
 - Automatic operation when installed.
 - Automatic warning if low battery.
 - Automatic stopping charging if full battery.

WARRANTY: 3 years

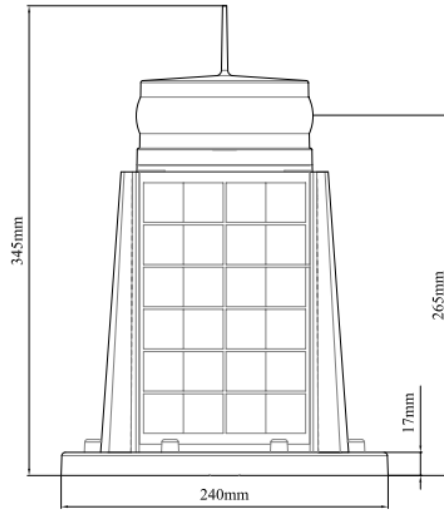
MARINE APPLICATIONS:

- Signaling marine navigation.
- Private Aids to Navigation.
- Port and Marina Entrances.
- Public piers, docks & marine walkways.
- Offshore oil & gas rigs.
- Research Buoys, Breakwaters.

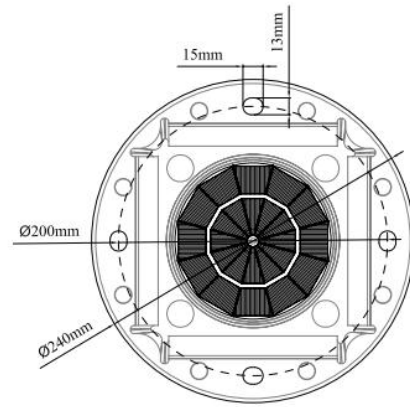
AVIATION & OTHER APPLICATIONS:

- Obstruction Lighting
- Telecommunication Towers
- Runway caution Lighting
- Building, tower & fence lighting
- Heli-port lighting
- Apron edge lighting
- Parking compounds

Side view



Top view



SPECIFICATIONS*

Viewing Range** (<i>Transmissivity of 0.74</i>)	Up to 5 Nautical Miles	
Vertical Divergence	$> 8^{\circ}$	
Operation	Flash Accuracy	$\pm 0,01\%$
	Autonomy*** (<i>at full charge</i>)	> 25 days (<i>12 hours darkness, 12.5% duty cycle</i>)
	Available Flash Patterns	Up to 282 flash patterns
	Chromatists of Color Output	Meet IALAs & ICAO specification
	Control	Remote Programmer (<i>optional</i>)
Solar module	Solar Module Type	Mono-Crystalline Silicon (c-Si)
	Output	16 Watt
	Solar Module Efficiency	17.5%
Battery	Battery Type	LiFePO4 Rechargeable battery - Environment friendly
	Battery Capacity	36 Ah – 3.2V
Physical Characteristics	Lens Material	UV Stabilized Polycarbonate or Acrylic
	Body Material	ABS Plastic
Operating environment	Temperature Range	$- 40^{\circ} \text{C}$ to $+80^{\circ} \text{C}$
	Humidity	0% to 95%
Certification	CE Approval	As per EN 60945:2002
	Water Proof	IP68
	Quality Assurance	ISO 9001:2015
TradeMarks	"VIJALight" and VIJALight logo are trademarks of VIJA Technologies Co., Ltd	
Weight	4.5 kg	

* May be subject to change at any time

** Actual viewing range is dependant on flash mode, intensity and LED color.

*** Actual figures for Autonomy depend on the intensity level setting.

VIJA TECHNOLOGIES CO., LTD

Email: vijalight@gmail.com Tel: +84.912476789

Add: LP3-SL17 Long Phu 3 Str., Vinhomes Thang Long Urban Area,
An Khanh Commune, Hoai Duc District, Hanoi City, Vietnam

