

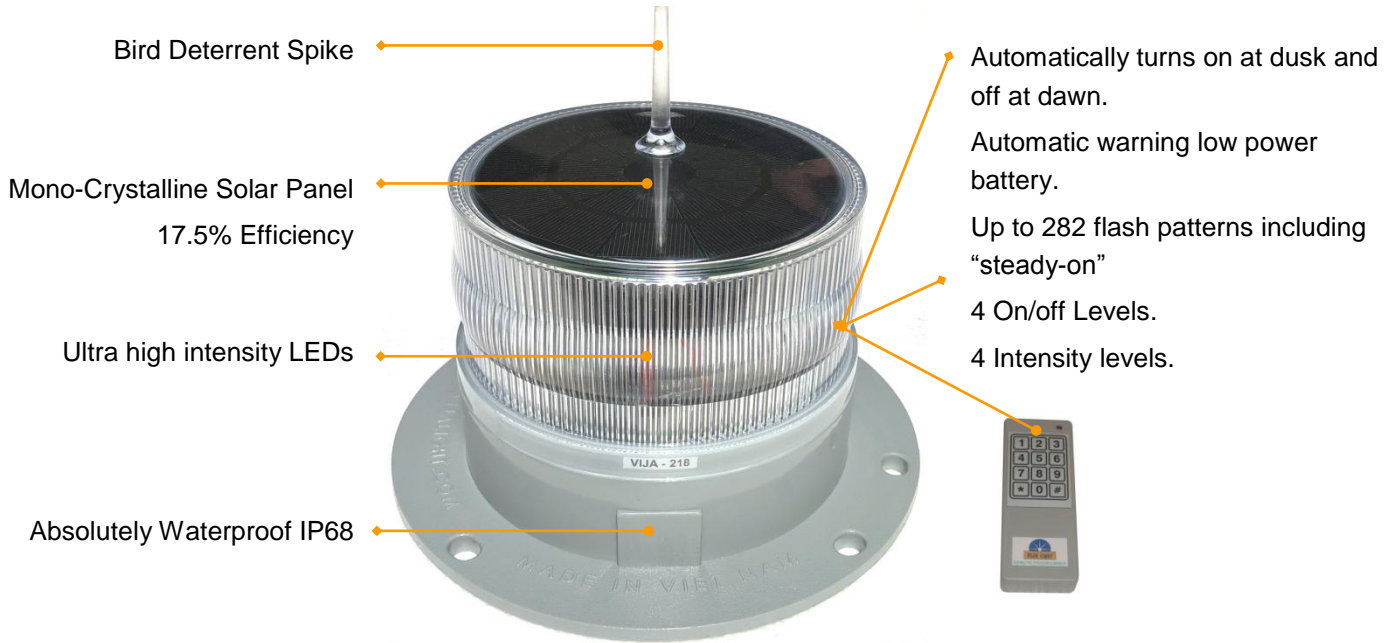


**VIJA Light®**

# VIJALight® Model: VIJA-218

## 2÷3nm Solar LED Marine Lantern

VIJALight® Model: VIJA-218 is an intelligent self-contained solar-Power LED marine Lantern, with automatic operation, large solar panel, very effective to any marine application with up to 2÷3 Nautical miles of viewing range.



### TECHNOLOGY

- Using an array of Ultra-bright LEDs, with an operating lifespan of up to 100,000 hours, the VIJA-218 can produce five color light output - Red, Green, Blue, Amber, White - that meets international chromaticity requirements.
- Using EEPROM memory makes the lantern work with previous setup after changing new battery.
- Integrated Intelligent software:
  - Automatic off mode after 18hrs in store.
  - Automatic operation when installed.
  - Automatic warning if low battery.
  - Automatic stopping charging if full battery.

**WARRANTY:** 3 years

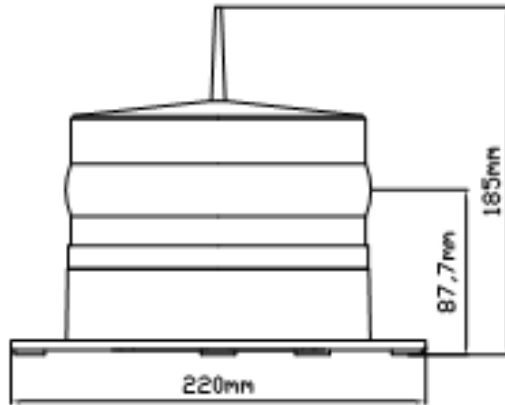
### MARINE APPLICATIONS:

- Private Aids to Navigation.
- Port and Marina Entrances.
- Public piers, docks & marine walkways.
- Offshore oil & gas rigs.
- Research Buoys, Breakwaters.

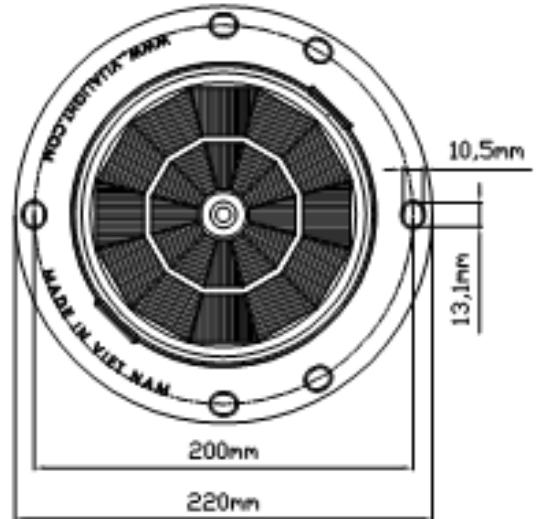
### AVIATION & OTHER APPLICATIONS:

- Obstruction Lighting,
- Telecommunication Towers
- Runway caution Lighting
- Building, tower & fence lighting
- Heli-port lighting
- Apron edge lighting
- Parking compounds

Side view



Top view

**SPECIFICATIONS\***

<b>Viewing Range**</b> ( <i>Transmissivity of 0.74</i> )	2÷3 Nautical Miles	
<b>Vertical Divergence</b>	> 8°	
<b>Operation</b>	Flash Accuracy	± 0,01%
	Autonomy*** ( <i>at full charge</i> )	> 25 days ( <i>12 hours darkness, 12.5% duty cycle</i> )
	Available Flash Patterns	Up to 282 flash patterns
	Chromatists of Color Output	Meet IALAs & ICAO specification
	Control	Remote Programmer ( <i>optional</i> )
<b>Solar module</b>	Solar Module Type	Mono-Crystalline Silicon (c-Si)
	Output	2 Watt
	Solar Module Efficiency	17.5%
<b>Battery</b>	Battery Type	LiFePO4 Rechargeable battery - Environment friendly
	Battery Capacity	6 Ah – 3.2V
<b>Physical Characteristics</b>	Lens Material	UV Stabilized Polycarbonate or Acrylic
	Body Material	ABS Plastic
<b>Operating environment</b>	Temperature Range	- 40° C to +80° C
	Humidity	0% to 95%
<b>Certification</b>	CE Approval	As per EN 60945:2002
	Water Proof	IP68
	Quality Assurance	ISO 9001:2015
<b>TradeMarks</b>	“VIJALight” and VIJALight logo are trademarks of VIJA Technologies Co., Ltd	
<b>Weight</b>	1.5 kg	

\* May be subject to change at any time

\*\* Actual viewing range is dependant on flash mode, intensity and LED color.

\*\*\* Actual figures for Autonomy depend on the intensity level setting.

**VIJA TECHNOLOGIES CO., LTD**

Email: vijalight@gmail.com Tel: +84.912476789

Add: LP3-SL17 Long Phu 3 Str., Vinhomes Thang Long Urban Area,  
An Khanh Commune, Hoai Duc District, Hanoi City, Vietnam

