

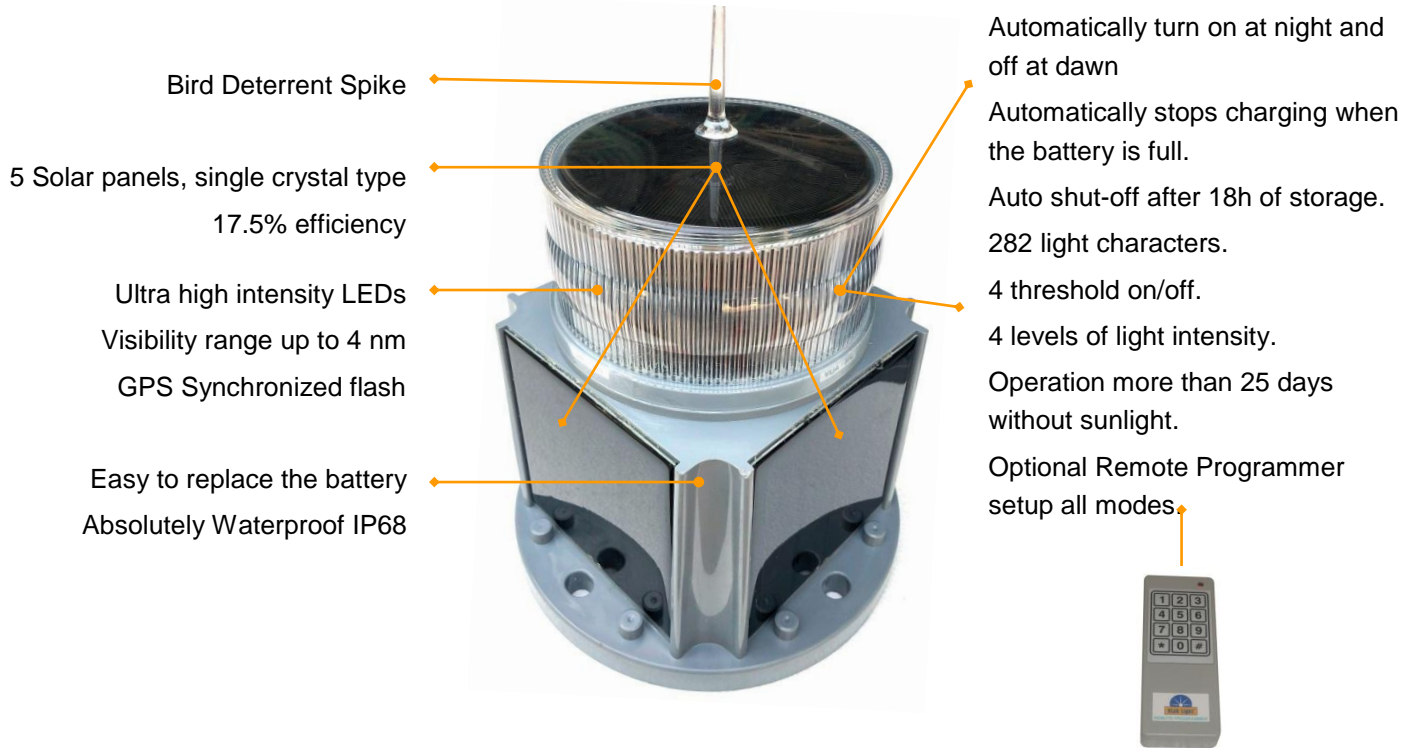


VIJA Light®

VIJALight® Model: VIJA-370GPS

Flashes Synchronized by GPS

VIJALight® Model: VIJA-370GPS is an intelligent self-contained solar-Power LED Lantern, with automatic operation, large solar panel, very effective to any application with up to 4 Nautical miles of viewing range and Synchronized flash.



TECHNOLOGY

- Using an array of Ultra-bright LEDs, with an operating lifespan of up to 100,000 hours, the VIJA-370GPS can produce five color light output - Red, Green, Blue, Yellow, White - that meets international chromaticity requirements.
- Using EEPROM memory makes the lantern work with previous setup after changing new battery.
- Integrated Intelligent software:
 - Automatic off mode after 18hrs in store.
 - Automatic operation when installed.
 - Automatic warning if low battery.
 - Automatic stopping charging if full battery.

WARRANTY: 3 years

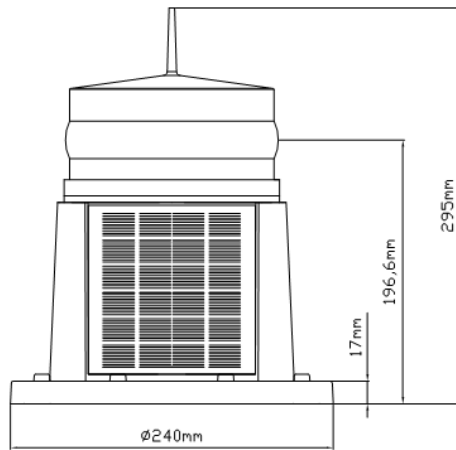
AVIATION APPLICATIONS:

- Obstruction Lighting
- Telecommunication Towers
- Runway caution Lighting
- Building, tower & fence lighting
- Heli-port lighting
- Apron edge lighting
- Parking compounds

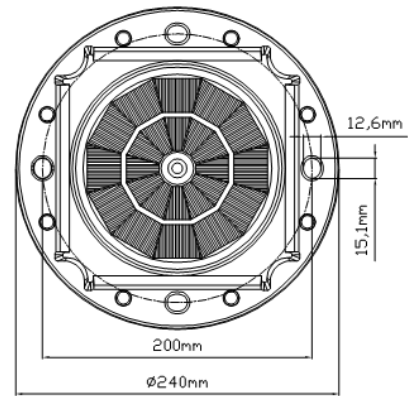
MARINE APPLICATIONS:

- Signaling marine navigation.
- Private Aids to Navigation.
- Port and Marina Entrances.
- Public piers, docks & marine walkways.
- Offshore oil & gas rigs.
- Research Buoys, Breakwaters.

Side view



Top view

**SPECIFICATIONS***

| | | |
|--|---|--|
| Peak Intensity | | >32Cd |
| Visible Range** (<i>Transmissivity of 0.74</i>) | | Up to 4 Nautical Miles |
| Vertical Divergence | > 8° | Horizontal Output: 360° |
| Operation | Flash Accuracy | ± 0,01% |
| | Autonomy*** (<i>at full charge</i>) | > 25 days (<i>12 hours darkness, 12.5% duty cycle</i>) |
| | Available Flash Patterns | Up to 282 flash patterns |
| | Chromatists of Color Output | Meet IALAs & ICAO specification |
| | GPS Synchronization | GPS enables two or more lanterns to flash in unison |
| Solar module | Solar Module Type | Mono-Crystalline Silicon (c-Si), Efficiency 17.5% |
| | Output | 9.6 Watt |
| Battery | Battery Type | LiFePO4 Rechargeable battery - Environment friendly |
| | Battery Capacity | 36 Ah – 3.2V (<i>Option 72Ah, 108Ah LiFePO4 Battery</i>) |
| Physical Characteristics | Lens Material | UV Stabilized Polycarbonate or Acrylic |
| | Body Material | ABS Plastic |
| Operating environment | Temperature Range | - 40° C to +80° C |
| | Humidity | 0% to 95% |
| Certification | CE Approval | As per EN 60945:2002 |
| | Water Proof | IP68 |
| | Quality Assurance | ISO 9001:2015 |
| TradeMarks | “VIJALight” and VIJALight logo are trademarks of VIJA Technologies Co., Ltd | |
| Weight | 3.5 kg | |

* May be subject to change at any time

** Actual viewing range is dependant on flash mode, intensity and LED color.

*** Actual figures for Autonomy depend on the intensity level setting.

VIJA TECHNOLOGIES CO., LTD

Email: vijalight@gmail.com Tel: +84.912476789

Add: LP3-SL17 Long Phu 3 Str., Vinhomes Thang Long Urban Area,
An Khanh Commune, Hoai Duc District, Hanoi City, Vietnam

