



VIJA Light®

VIJALight® Model: VIJA-412COM

GSM monitoring & control system

VIJALight® VIJA-412COM is the signal lights use solar energy, works with 282 automatic signaling, GPS Synchronized flash, GSM monitoring & control system, suitable for applications that require visibility range up to 5 nautical miles in marine navigation.

Bird Deterrent Spike

5 Solar panels, single crystal type
17.5% efficiency

Ultra high intensity LEDs
Visibility range up to 5 nm
GSM Monitoring: The Location and status of Lantern
(Coordinates, Battery Status, Flashing mode...)

Easy to replace the battery
Absolutely Waterproof IP68

Automatically turn on at night and off at dawn
Automatically stops charging when the battery is full.
Auto shut-off after 18h of storage.
282 modes meets IALA recommended 4 threshold on/off.
4 levels of light intensity.
Operation more than 25 days without sunlight.
Optional Remote Programmer setup all modes.

TECHNOLOGY:

- * Use LED luminous intensity, 100,000-hour lifespan helps VIJALight lights have long life, energy saving.
- * VIJA-412COM connectivity with GSM (*Global system for mobile communications*) It utilises a complete integrated module, designed to allow monitoring and control by using existing cellular networks. Each VIJA-412COM device is fitted with its own SIM card which provides a designated cell-phone contact number for each individual asset. Any network operator can be used if they offer coverage in the nominated Asset location. Data are able to be communicated from the enabled device to our website or a nominated cell phone. This data includes: coordinates of lantern, battery status, flashing mode.
- * Use Li-Ion rechargeable battery, non explosive, long cycle, Environment friendly, battery life over 3 years.
- * Integrated software enables intelligent lamp operation: lights automatically turn off after 18h storage and automatic operation when installed, automatically warning signal when the battery is weak, automatically stop charging when the battery is full. There are test mode current battery capacity..

WARRANTY: 3 years

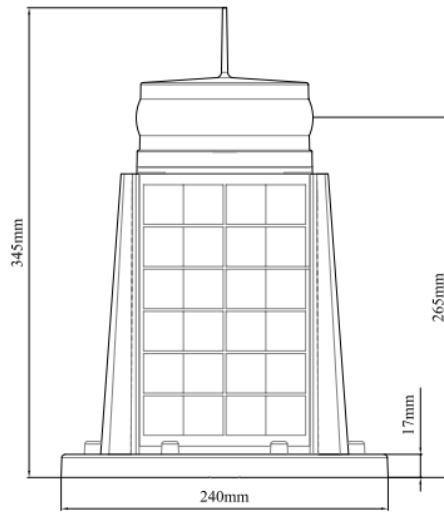
MARINE APPLICATIONS:

- Signaling marine navigation.
- Private Aids to Navigation.
- Port and Marina Entrances.
- Public piers, docks & marine walkways.
- Offshore oil & gas rigs.
- Research Buoys, Breakwaters.

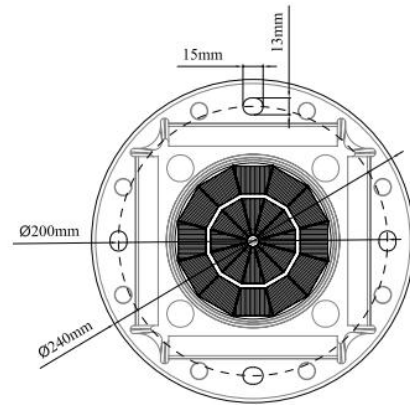
AVIATION & OTHER APPLICATIONS:

- Obstruction Lighting
- Telecommunication Towers
- Runway caution Lighting
- Building, tower & fence lighting
- Heli-port lighting
- Apron edge lighting
- Parking compounds

Side view



Top view

**SPECIFICATIONS***

Viewing Range** (<i>Transmissivity of 0.74</i>)	Up to 5 Nautical Miles	
Vertical Divergence	> 8°	
Operation	Flash Accuracy	± 0,01%
	Autonomy*** (<i>at full charge</i>)	> 25 days (<i>12 hours darkness, 12.5% duty cycle</i>)
	Color available	Green, White, Red, Yellow, Blue
	GPS Synchronization	GPS enables two or more lanterns to flash in unison
GSM Monitoring and control system:	Monitor the location, battery status, flashing mode of the lantern	
	Warning when the lantern fails or moves out of the set position	
	Setting flashing mode or position of lantern by message	
Solar module	Solar Module Type	Mono-Crystalline Silicon (c-Si). Efficiency 17.5%
	Output	16 Watt
Battery	Battery Type	Lithium Ion
	Battery Capacity	30 Ah – 3.7V
Physical Characteristics	Lens Material	UV Stabilized Polycarbonate or Acrylic
	Body Material	ABS Plastic
Operating environment	Temperature Range	- 40° C to +80° C
	Humidity	0% to 95%
Certification	CE Approval	As per EN 60945:2002
	Water Proof	IP68
	Quality Assurance	ISO 9001:2015
TradeMarks	“VIJALight” and VIJALight logo are trademarks of VIJA Technologies Co., Ltd	
Weight	4.5 kg	

* May be subject to change at any time

** Actual viewing range is dependant on flash mode, intensity and LED color.

*** Actual figures for Autonomy depend on the intensity level setting.

VIJA TECHNOLOGIES CO., LTD

Email: vijalight@gmail.com Tel: +84.912476789

Add: LP3-SL17 Long Phu 3 Str., Vinhomes Thang Long Urban Area,
An Khanh Commune, Hoai Duc District, Hanoi City, Vietnam

